

MAXIMUM PRODUCT LOAD RATING: 100 kg 

IMPORTANT:

- **LOAD = WEIGHT OF PLATFORM or BARS + MOUNTING SYSTEM + ACCESSORIES + CARGO**
- **PLEASE REFER TO VEHICLE MANUFACTURER SPECIFICATIONS FOR MAX ROOF LOAD CAPACITY OF VEHICLE. THE LOWEST LOAD RATING APPLIES.**
- **OFFROAD RATING: SCAN QR CODE FOR LOCKNLOAD LOAD RATING GUIDE. REDUCTIONS MAY APPLY.**



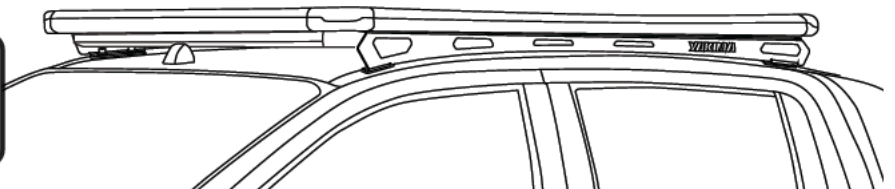
FIRST TIME INSTALLATION

- Please read instructions carefully before installation.
- Check the contents of kit. Each spine has the last four digits of the kit's part number lasered in. Contact your YAKIMA dealer if any parts appear missing, incorrect or damaged.
- Clean your roof thoroughly prior to fitting the LockNLoad RuggedLine.
- Place these instructions in the vehicle's glove box after installation is complete.



TOOLS REQUIRED:

- Small flat bladed screwdriver
- 8mm Socket

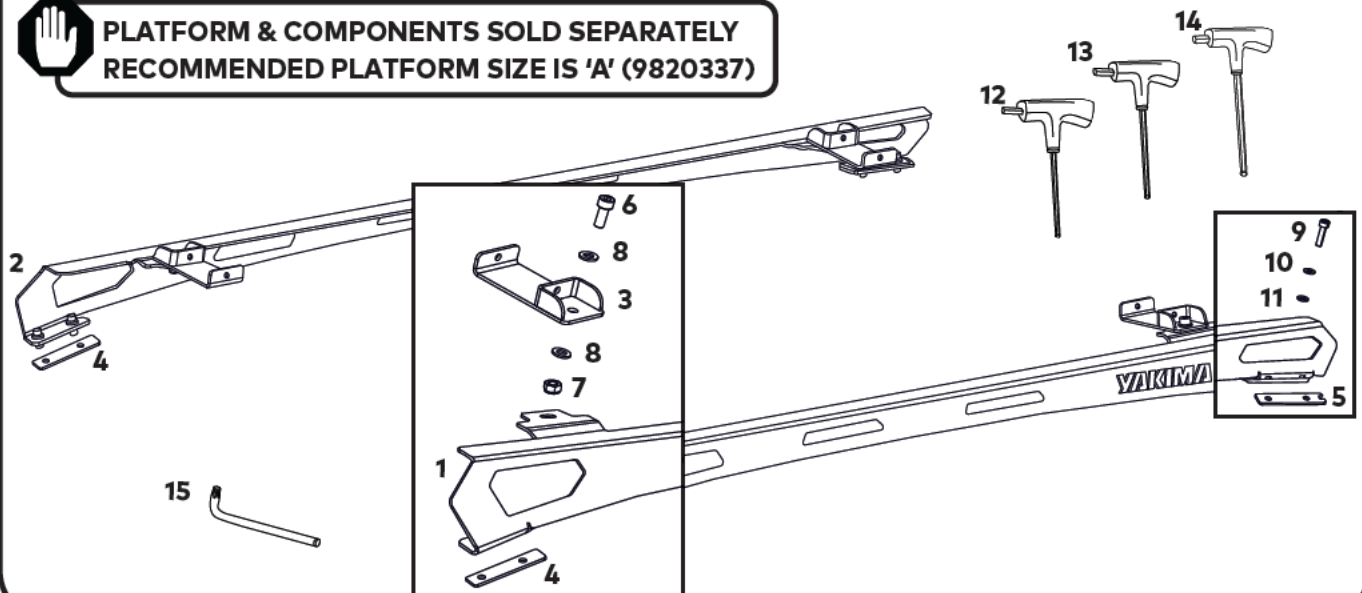


KIT CONTENTS

ITEM	COMPONENT	QTY	ITEM	COMPONENT	QTY
1.	Wildtrak/Amarok Left Spine 2176	x1	8.	M8 Washer	x8
2.	Wildtrak/Amarok Right Spine 2176	x1	9.	M6 Sockethead Capscrew 16 mm	x8
3.	Pivot Bracket Assembly	x4	10.	M6 Spring Washer	x8
4.	Front Spacer	x2	11.	M6 Washer 16 mm	x8
5.	Rear Spacer	x2	12.	4 mm T Handle Ball End Allen Key	x1
6.	M8 Socket Head Capscrew 20 mm	x4	13.	5 mm T Handle Ball End Allen Key	x1
7.	M8 Nyloc Nut 1.25 mm	x4	14.	6 mm T Handle Ball End Allen Key	x1
			15.	T40 Torx	x1



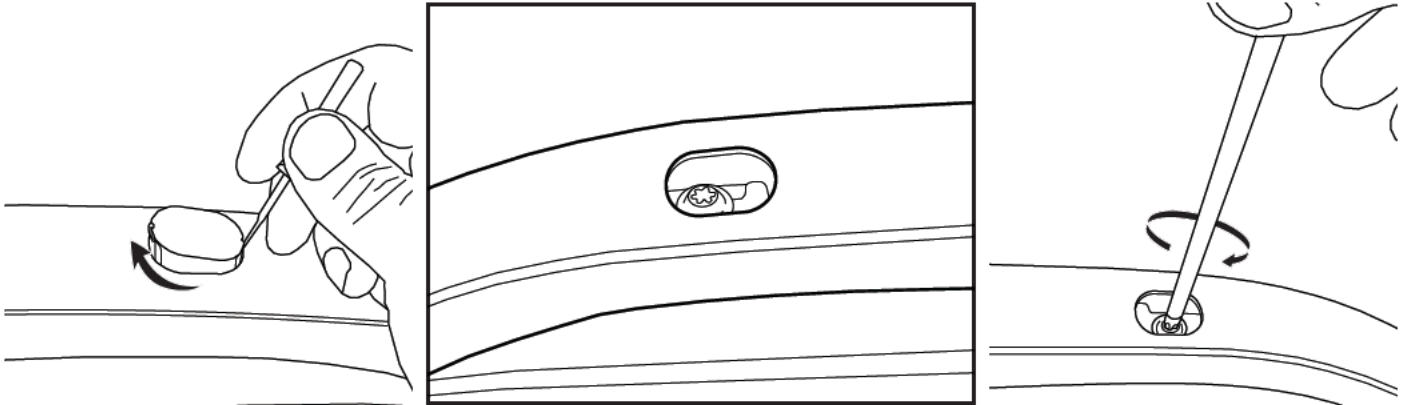
**PLATFORM & COMPONENTS SOLD SEPARATELY
RECOMMENDED PLATFORM SIZE IS 'A' (9820337)**



REMOVING FACTORY RAISED ROOF RAILS

1 REMOVE RAIL GUARDS

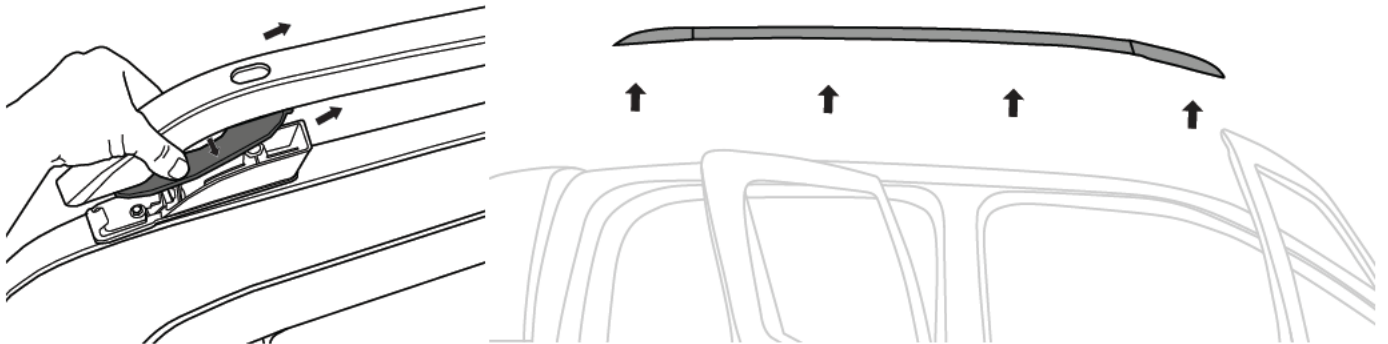
Using a small tool, remove the caps on the rails and unscrew the bolt using a T40 Torx driver



Note: Apply upwards pressure to the rail to prevent the captive nut from dropping and spinning while the bolt is being undone.

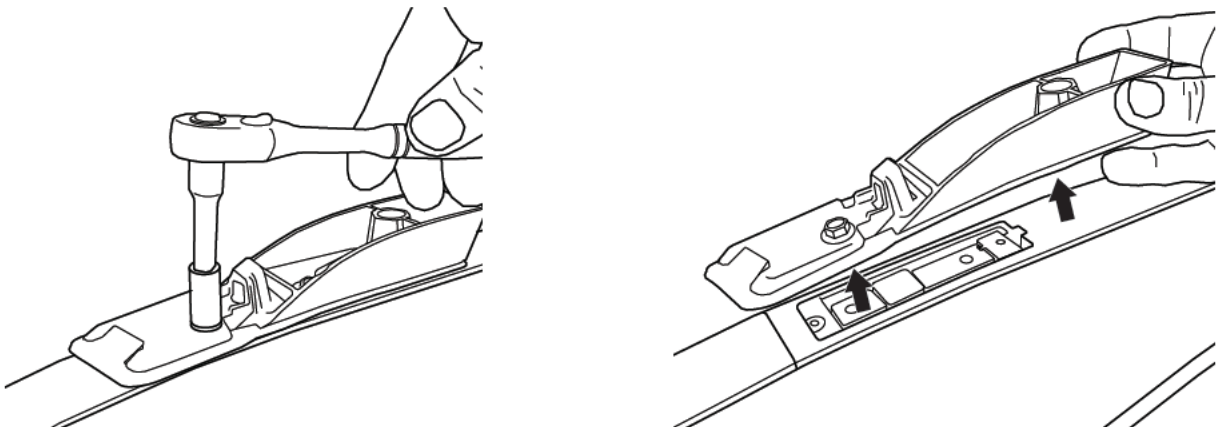
2 REMOVE RAILS

Slide the lock plate towards the center of the rail until it releases from the base plate. Carefully lift the roof rail and slide out the lock plate, then lift the rail clear.



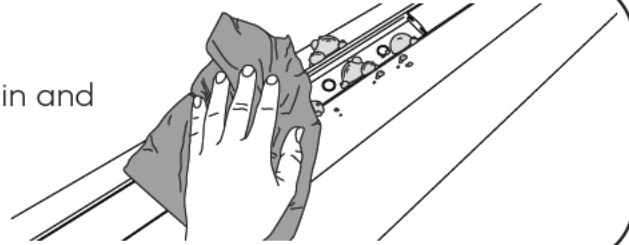
3 REMOVE THIS BRACKET

Using the 8 mm Socket, remove the base plate from the vehicle roof.



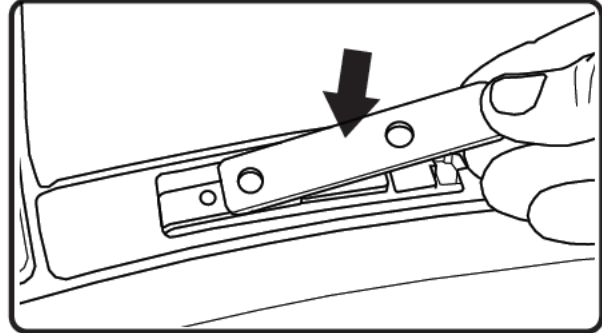
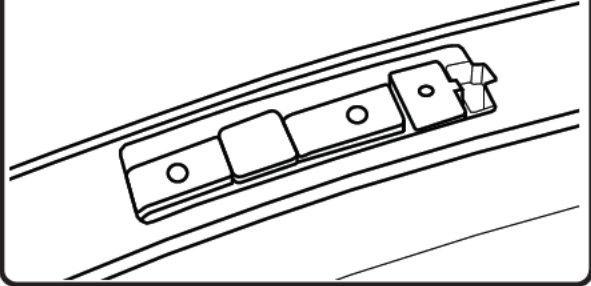
4**CLEAN ROOF**

Wipe clean any dirt that may have built up in and around all mounting holes.

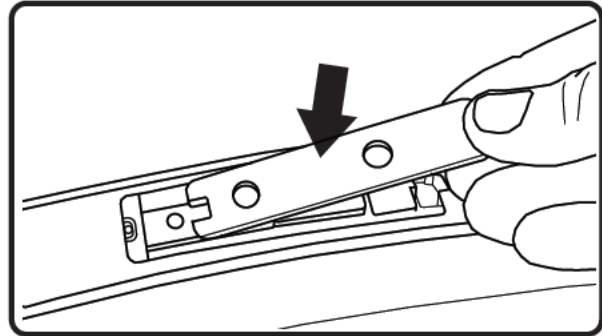
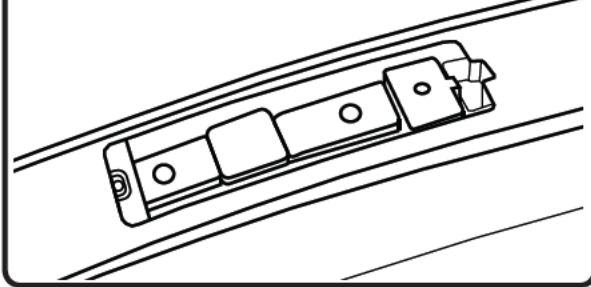
**5****INSTALL PLATE**

Install the Front and Rear Spacers onto the exposed contents in the vehicle roof.

Front



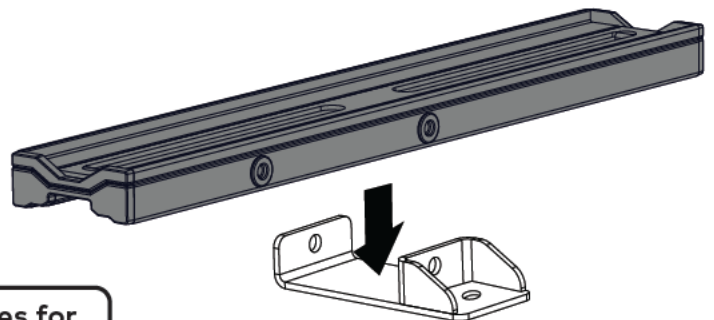
Rear

**!****FACTORY SNORKEL**

RuggedLine can be installed in conjunction with a factory Snorkel. The Ruggedline Spine can sit on top of the Snorkel bracket.

6**INSTALL PLATFORM PIVOT MOUNTS**

From the LockNLoad Platform kit (sold separately), position Pivot Mounts into each Pivot Bracket Assembly, lining up the rivnut holes on the Mounts with the holes on the brackets.

**!**

Where possible, always use the centre holes for attaching to Pivot Bracket. If extra clearance is needed due to Platform-to-roof fitment needs, the offset holes can be used.

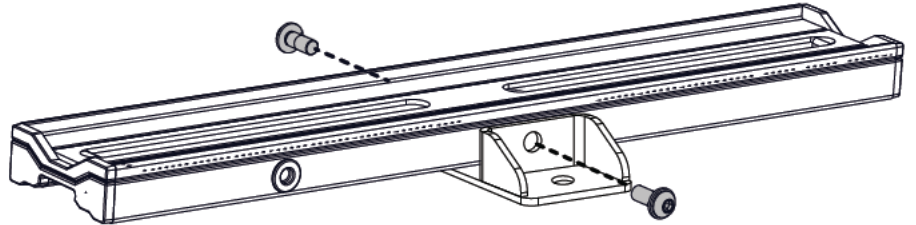
7

SECURE PLATFORM PIVOT MOUNTS

Secure all Platform Pivot Mounts with 2x 16 mm M6 Capscrews with Washer from LockNLoad Platform kit as shown.

Tighten all Capscrews to 4 Nm with a 4 mm Ball End Allen Key or a suitable Torque Wrench.

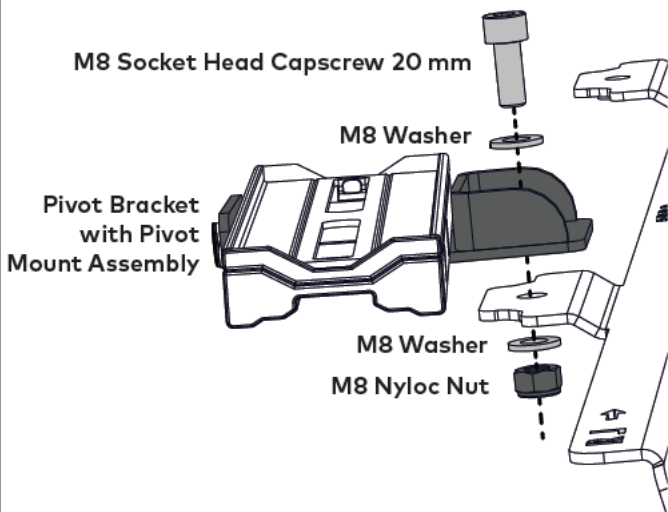
NOTE - The Pivot Mount assembly will still have movement after securing which is intended.



8

ASSEMBLE PIVOT BRACKET TO RUGGEDLINE

Assemble Pivot Bracket with Pivot Mount along with the M8 hardware as pictured. Complete this for both M8 mounting holes on top of the RuggedLine Spine.

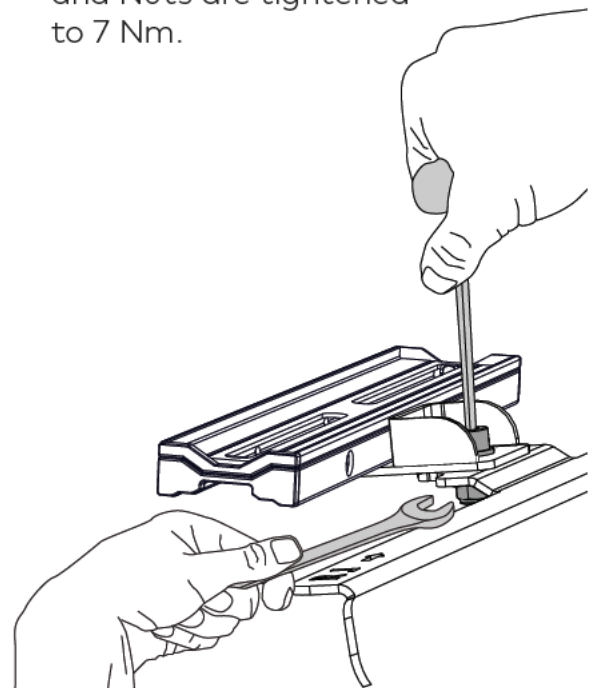


9

SECURE PIVOT BRACKET ASSEMBLIES

Tighten all Capscrews with the provided 6 mm T Handle Ball End Allen Key, and all Nuts with a 13 mm Spanner or a suitable Torque Wrench.

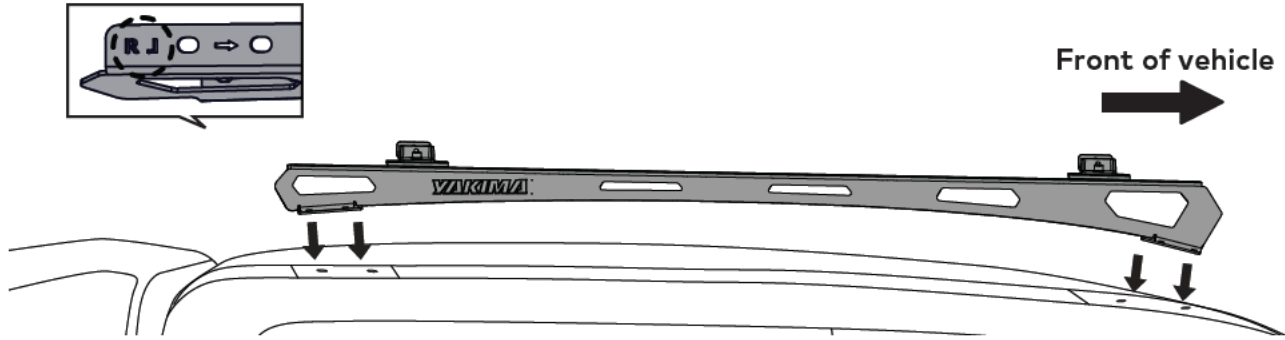
Ensure all Capscrews and Nuts are tightened to 7 Nm.



MOUNTING RUGGEDLINE

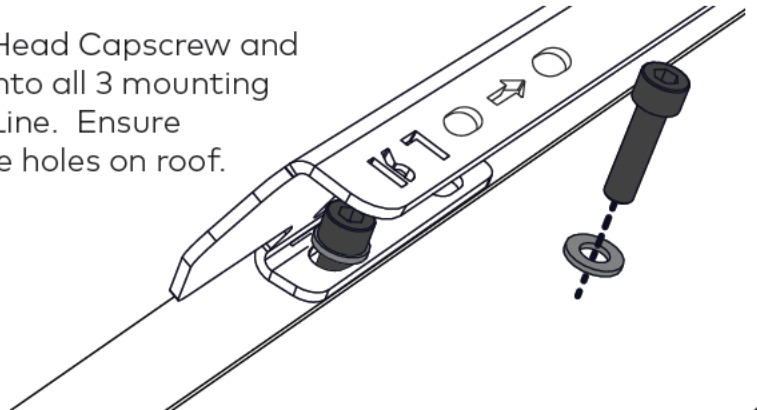
10 POSITION RUGGEDLINE ON VEHICLE ROOF

Referring to the left-right orientation on top of each Spine, carefully place one side of the RuggedLine onto vehicle roof as shown. Line up the mounting holes on the bottom tabs to those exposed on the roof.



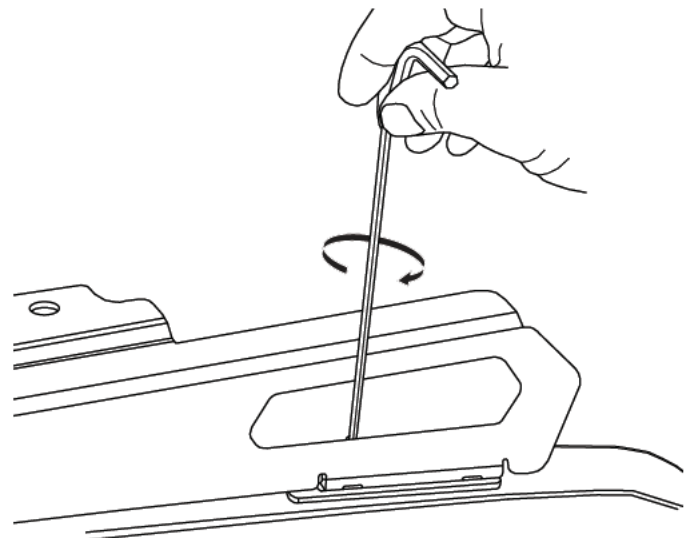
11 ASSEMBLE RUGGEDLINE HARDWARE

Assemble the 16 mm M6 Socket Head Capscrew and M6 Washer as shown and place into all 3 mounting holes on bottom tabs of RuggedLine. Ensure hardware and holes align with the holes on roof.



12 SECURE RUGGEDLINE SPINE TO PLATE

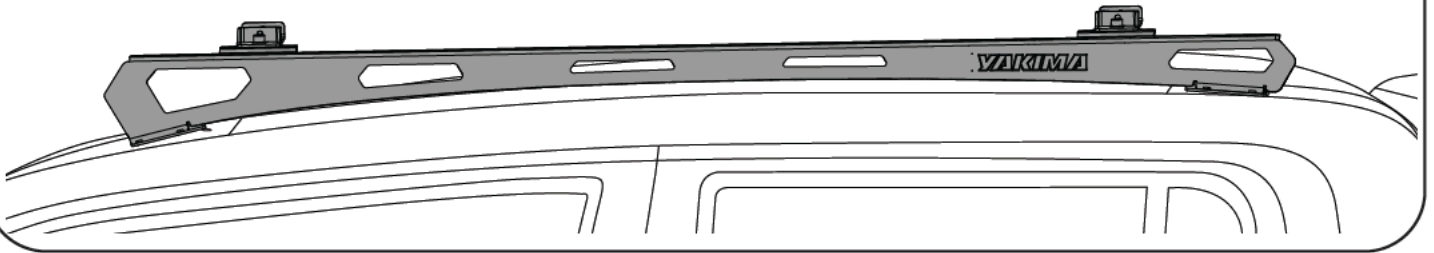
Using an Allen Key, tighten the M6 Socket Head Capscrew to the vehicle roof. Tighten to 5 Nm.



13**REPEAT STEPS TO OPPOSITE SIDE**

Repeat steps 1-9 for securing opposite side of RuggedLine Spine.

Ensure both Spines are securely positioned on vehicle roof. Check each screw is secure before proceeding to install LockNLoad Platform to RuggedLine Spines.



**NOW SWITCH TO YOUR LOCKNLOAD PLATFORM
INSTRUCTIONS AND CONTINUE FROM THE
'VEHICLE MOUNTING INSTRUCTIONS' PAGE.**



www.yakima.com.au
www.yakima.co.nz
www.yakima.com
www.yakima.eu

YAKIMA AUSTRALIA PTY LTD

17 Hinkler Court
Brendale, QLD 4500
Australia
1800 143 548
yakimaglobal.com

**YAKIMA PRODUCTS,
INC.**

4101 Kruse Way
Lake Oswego, OR
97035-2541
USA
888 925 4621
yakima.com/support