

MAXIMUM PRODUCT LOAD RATING: 100 kg 

IMPORTANT:

- **LOAD = WEIGHT OF PLATFORM or BARS + MOUNTING SYSTEM + ACCESSORIES + CARGO**
- **PLEASE REFER TO VEHICLE MANUFACTURER SPECIFICATIONS FOR MAX ROOF LOAD CAPACITY OF VEHICLE. THE LOWEST LOAD RATING APPLIES.**
- **OFFROAD RATING: SCAN QR CODE FOR LOCKNLOAD LOAD RATING GUIDE. REDUCTIONS MAY APPLY.**



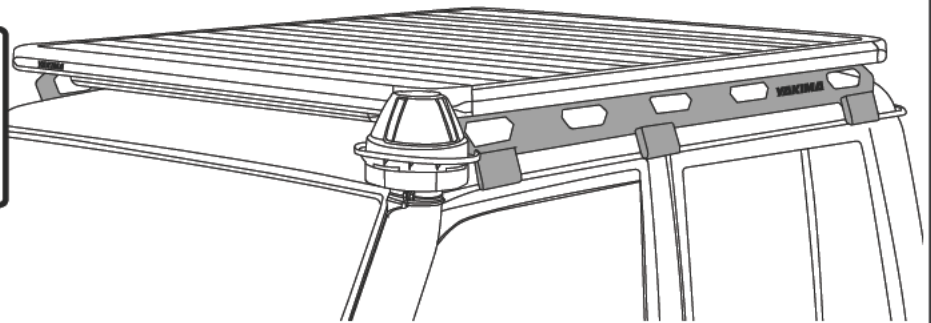
FIRST TIME INSTALLATION

- Please read instructions carefully before installation.
- Check the contents of kit. Each spine has the last four digits of the kit's part number lasered in. Contact your YAKIMA dealer if any parts appear missing, incorrect or damaged.
- Clean your roof thoroughly prior to fitting the LockNLoad RuggedLine.
- Place these instructions in the vehicle's glove box after installation is complete.



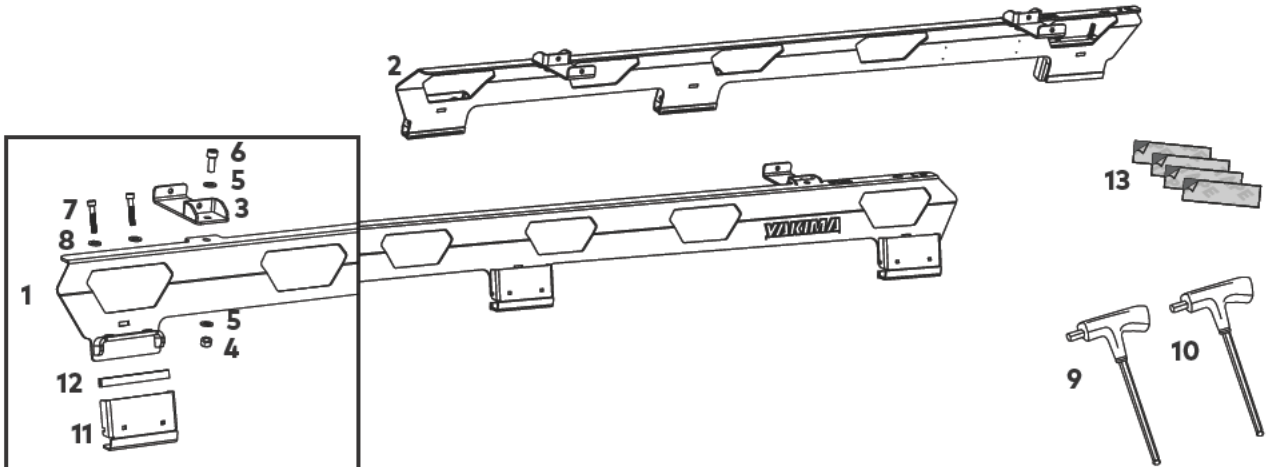
TOOLS REQUIRED:

- 13 mm Spanner
- 4mm Ball End Allen Key



KIT CONTENTS

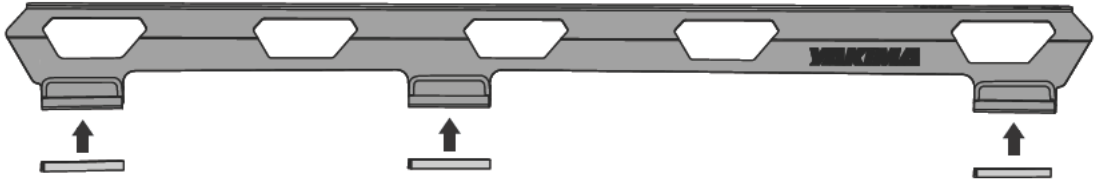
ITEM	COMPONENT	QTY	ITEM	COMPONENT	QTY
1.	Spine LH 2179	x1	8.	M6 Spring Washer	x12
2.	Spine RH 2179	x1	9.	5 mm Hex Key Ball End Allen Key	x1
3.	Pivot Bracket Assembly	x4	10.	6 mm Hex Key Ball End Allen Key	x1
4.	M8 x 1.25 Nyloc Nut	x4	11.	Clamp Assembly	x6
5.	M8 Washer	x8	12.	Edge Seal	x6
6.	M8 x 20 Socket Head Capscrew	x4	13.	Bump On Tape	x6
7.	M6 x 35 Capscrew Socket Head	x12			



MOUNTING RUGGEDLINE AND LOCKLOAD PLATFORM

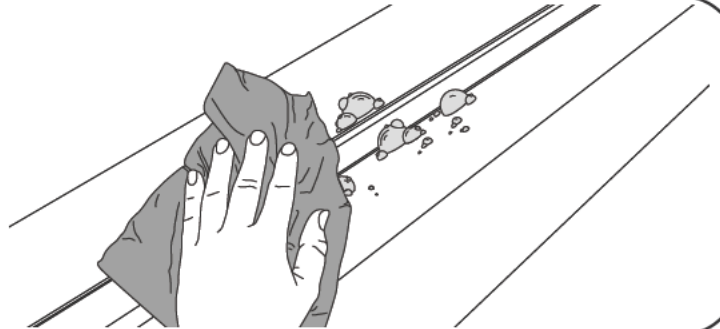
1 CLIP EDGE SEAL TO THE BOTTOM OF THE RUGGEDLINE

Clip the Edge Seal onto the bottom of the RuggedLine.



2 CLEAN ROOF

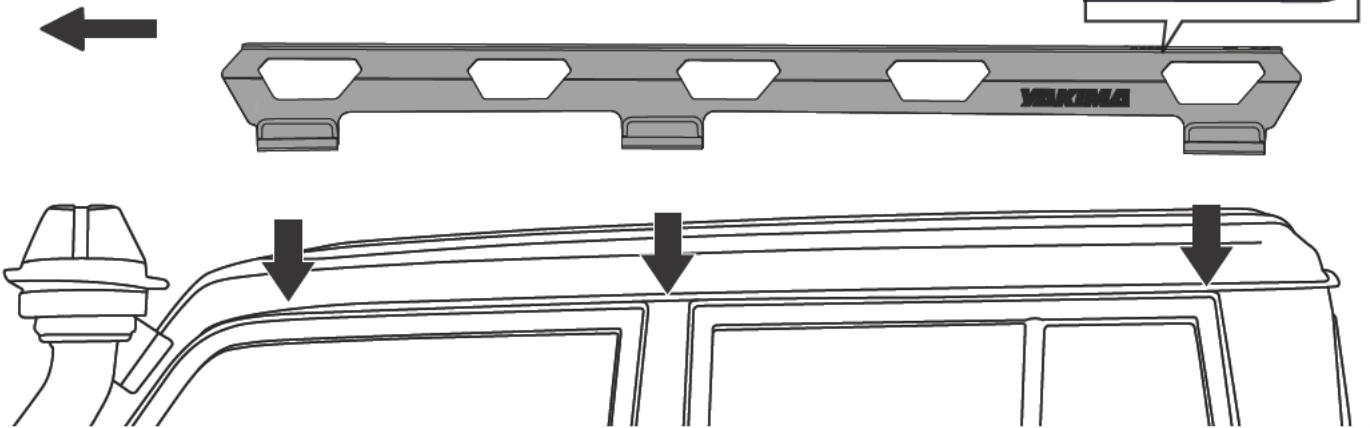
Wipe clean any dirt that may have built up in and around the gutter.



3 POSITION RUGGEDLINE ON VEHICLE ROOF

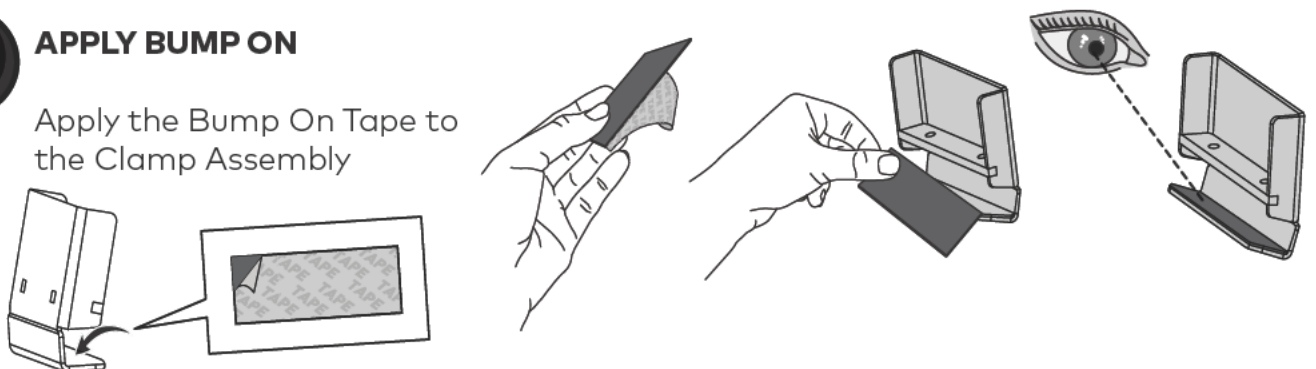
Referring to the left-right orientation on top of each Spine, carefully place one side of the RuggedLine onto vehicle roof as shown. The tabs are to face in towards the vehicle. Make sure to align the Middle Bracket over the B Pillar.

Front of vehicle



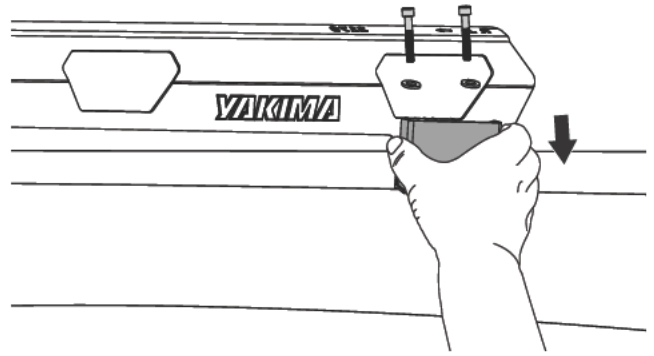
4 APPLY BUMP ON

Apply the Bump On Tape to the Clamp Assembly

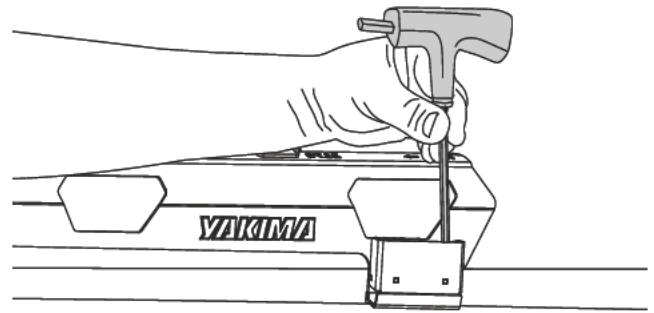


5**ATTACH CLAMP ASSEMBLY**

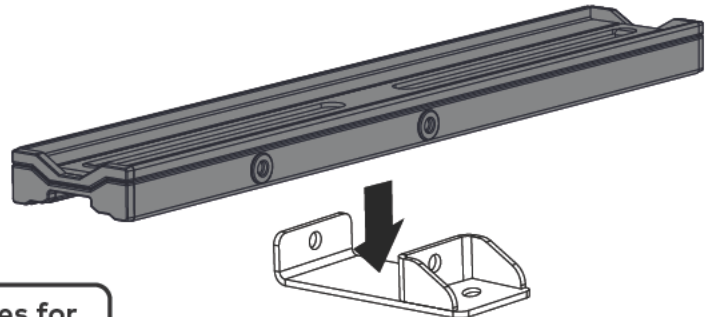
Slide the Clamp Assembly onto the Spine.

**6****TIGHTEN RUGGEDLINE HARDWARE**

Using the 5 mm T Handle Ball End Allen Key, and avoiding damage to the powder coat, start to carefully secure the RuggedLine by tightening the M6 Socket Head Capscrews to 7 Nm into the mounting holes in Spine.

**7****INSTALL PLATFORM PIVOT MOUNTS**

From the LockNLoad Platform kit (sold separately), position Pivot Mounts into each Pivot Bracket Assembly, lining up the rivnut holes on the Mounts with the holes on the brackets.

**!**

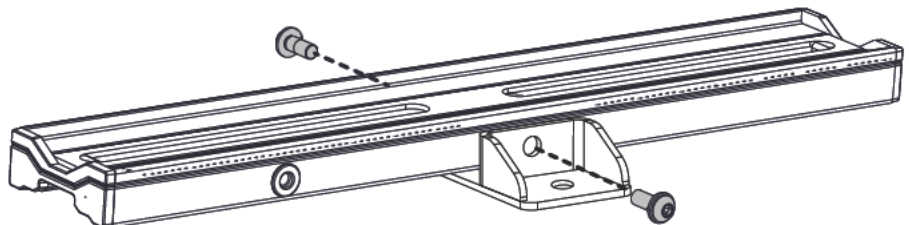
Where possible, always use the centre holes for attaching to Pivot Bracket. If extra clearance is needed due to Platform-to-roof fitment needs, the offset holes can be used.

8**SECURE PLATFORM PIVOT MOUNTS**

Secure all Platform Pivot Mounts with 2x 16 mm M6 Capscrews with Washer from LockNLoad Platform kit as shown.

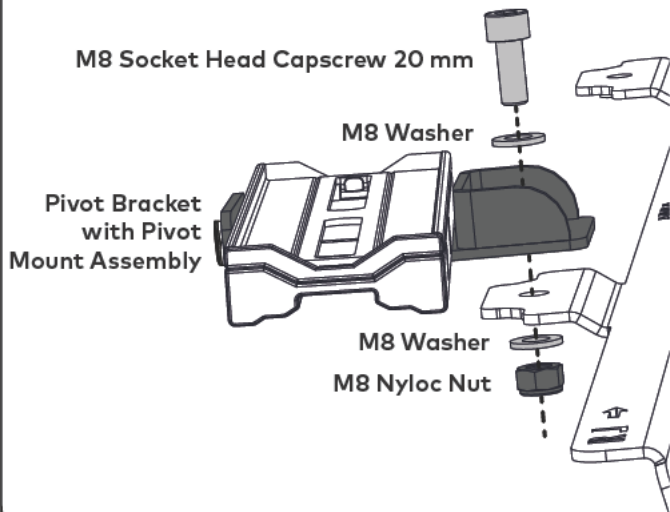
Tighten all Capscrews to 4 Nm with a 4 mm Ball End Allen Key or a suitable Torque Wrench.

NOTE - The Pivot Mount assembly will still have movement after securing which is intended.



9 ASSEMBLE PIVOT BRACKET TO RUGGEDLINE

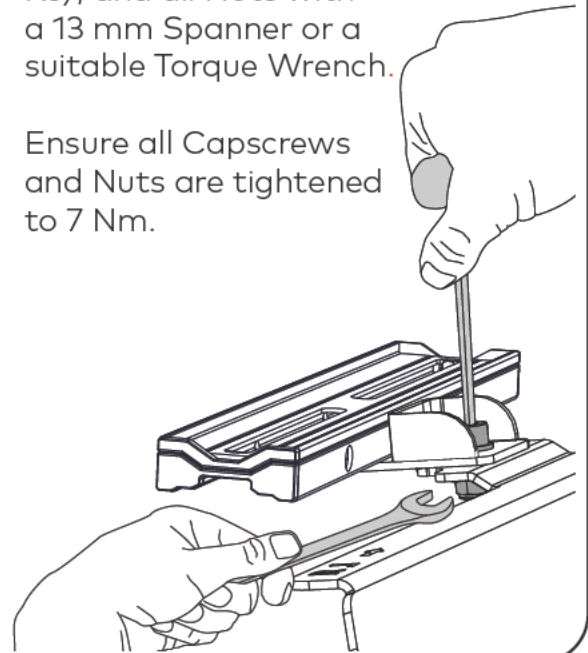
Assemble Pivot Bracket with Pivot Mount along with the M8 hardware as pictured. Complete this for both M8 mounting holes on top of the RuggedLine Spine.



10 SECURE PIVOT BRACKET ASSEMBLIES

Tighten all Capscrews with the provided 6 mm T Handle Ball End Allen Key, and all Nuts with a 13 mm Spanner or a suitable Torque Wrench.

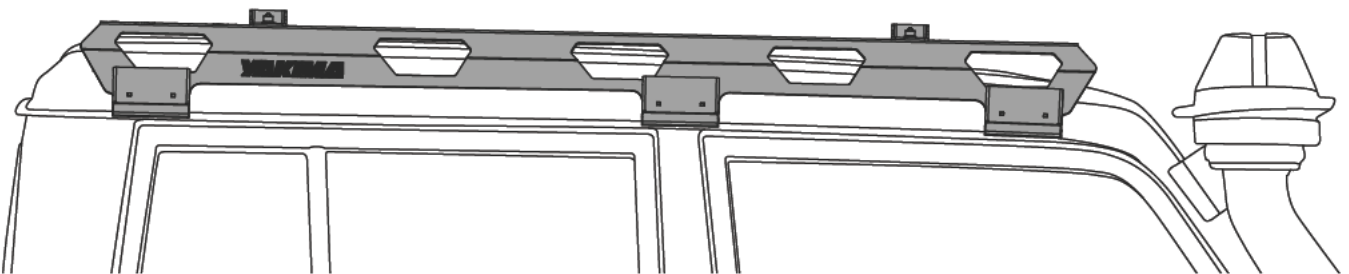
Ensure all Capscrews and Nuts are tightened to 7 Nm.



11 REPEAT STEPS ON OPPOSITE SIDE

Repeat steps 1 - 9 on pages 2 - 4 for securing opposite side of RuggedLine Spine.

Ensure both Spines are securely positioned on vehicle roof. Check each screw is secure before proceeding to install LockNLoad Platform to RuggedLine Spines.



! NOW SWITCH TO YOUR LOCKNLOAD PLATFORM INSTRUCTIONS AND CONTINUE FROM THE 'VEHICLE MOUNTING INSTRUCTIONS' PAGE.



www.yakima.com.au
www.yakima.co.nz
www.yakima.com
www.yakima.eu

YAKIMA AUSTRALIA PTY LTD

17 Hinkler Court
Brendale, QLD 4500
Australia
1800 143 548
yakimaglobal.com

**YAKIMA PRODUCTS,
INC.**

4101 Kruse Way
Lake Oswego, OR
97035-2541
USA
888 925 4621
yakima.com/support